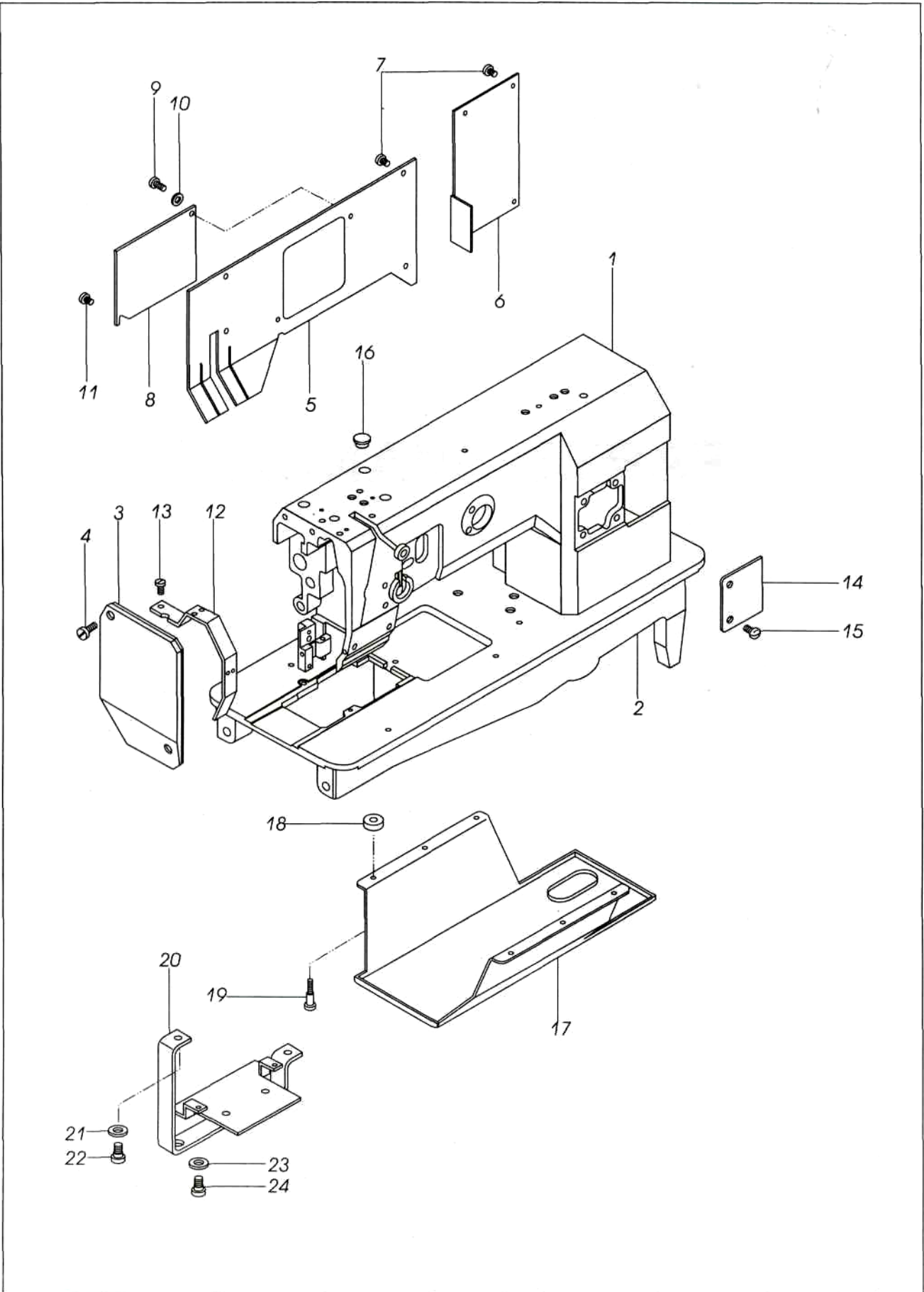


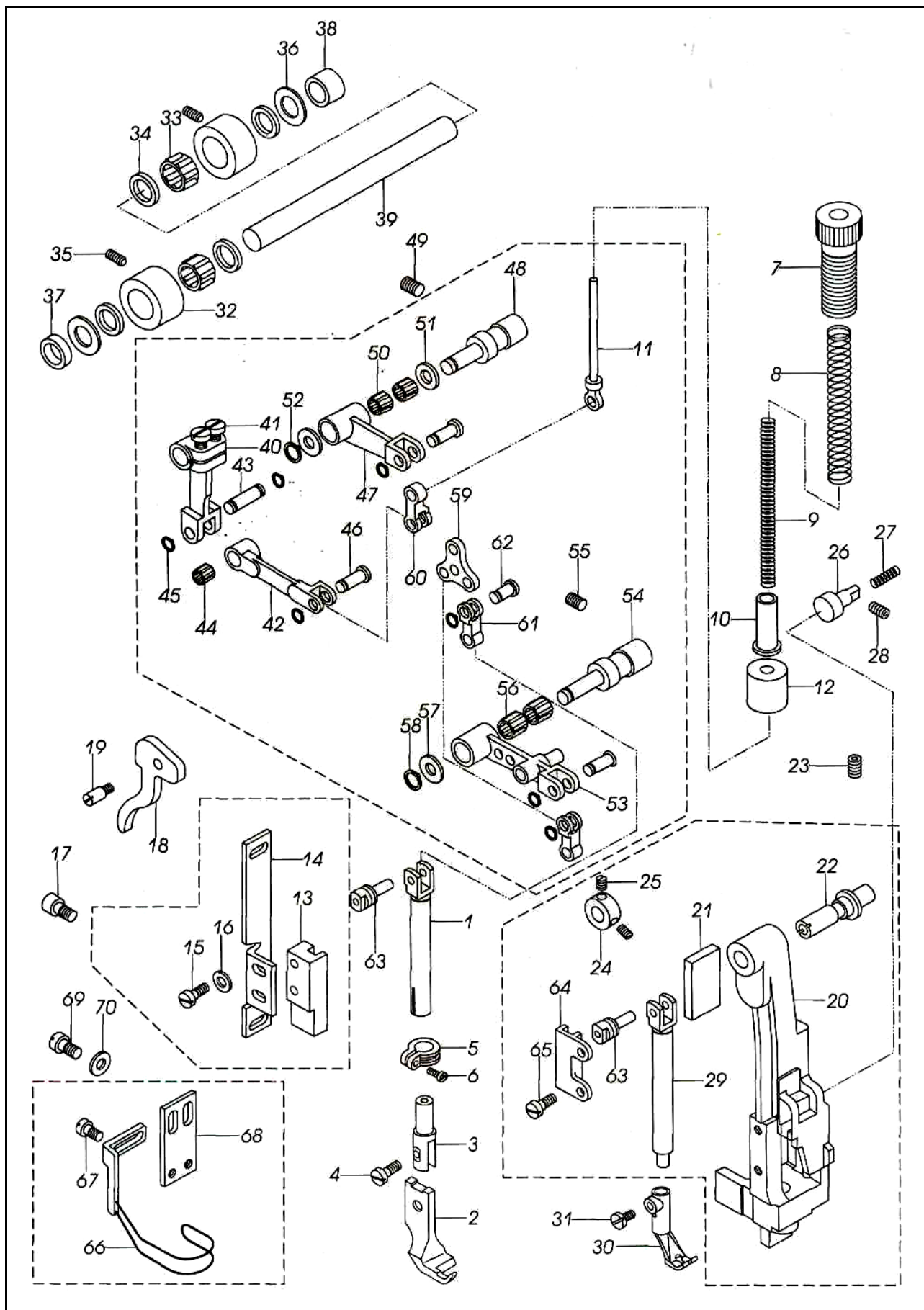
1 .Machine casting components



1 .Machine casting components

No.	Parts No.	Name	Qty.	Remarks
1	71WF2-001	Arm	1	
2	71WF2-002	Bed	1	
3	71WF2-003	Face plate	1	
4		Screw	2	GB65-M5x16
5	71WF2-004	Rear cover(left)	1	
6	71WF2-005	Rear cover(right)	1	
7		Screw	8	GB67-M5 x 8
8	71WF2-006	Cover(small)	1	
9	71WF2-007	Screw(1)	1	
10		Spring	1	GB1972-80
11		Screw(2)	1	GB67-M4 x 6
12	71WF2-008	Thread take-up lever guard	1	
13		Screw	1	GB67-M5 x 8
14	71WF2-009	Front cover	1	
15		Screw	2	GB67-M5 x 8
16	71WF2-025	Plug	2	
17	71WF5-007	Oil pan	1	
18	71WF5-008	Washer	6	
19		Screw	6	GB845ST2.9x19-C-Z
20	71WF2-010	Oil box set bracket complete	1	
21		Washer	2	GB861.1-87 6
22		Screw	2	GB70-85M6x12
23		Washer	2	GB96-85 4
24		Screw	2	GB65-M4 x 8

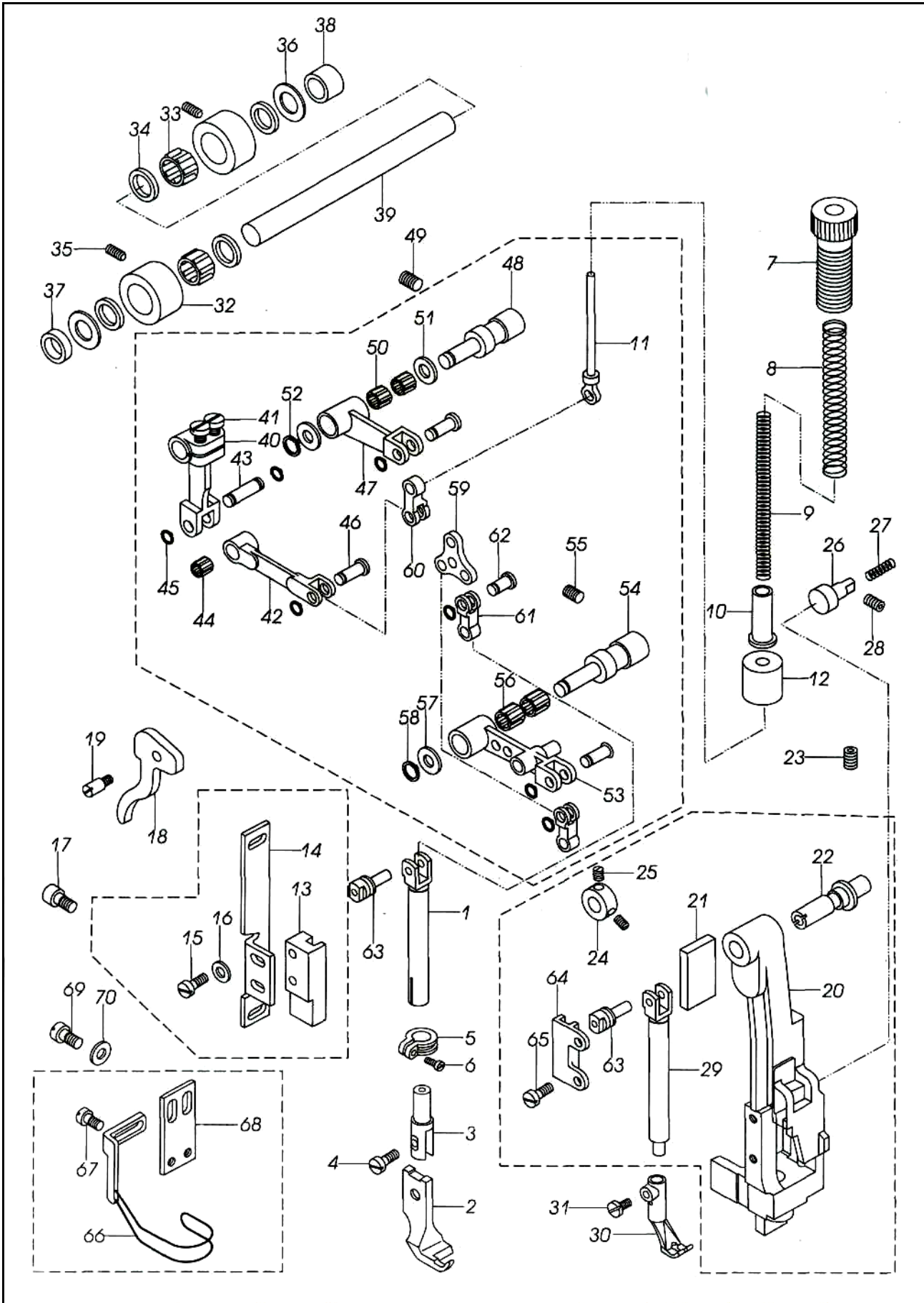
## 2. Needle and presser foot components



## 2.Needle and presser foot components

No.	Parts No.	Name	Qty.	Remarks
1	71WF4-001	Presser foot bar	1	
2	71WF4-002	Presser foot	1	
3	71WF4-003	Presser foot bracket	1	
4	71WF4-004	Screw	1	
5	71WF4-005	Collar	1	
6	19WF1-013B	Screw	1	
7	71WF4-006	Screw	1	M15x1
8	71WF4-007	Spring(big)	1	
9	71WF4-008	Spring(small)	1	
10	71WF4-009	Spring bushing	1	
11	71WF4-010	Guide bar	1	
12	71WF4-011	Oil felt	1	
13	71WF4-012	Sliding guide	1	
14	71WF4-013	Set plate	1	
15		Screw	2	GB65-M4x10
16		Washer	2	GB97.1-4
17		Screw	2	GB70-M5x10
18	71WF4-014	Presser foot lifting bar	1	
19	71WF4-015	Lifting bar shaft	1	
20	71WF3-003	Needle bar rocking frame	1	
21	71WF3-004	Oil felt	1	
22	71WF3-005	Hinge pin	1	
23		Screw	1	GB77-M6 x 8
24	71WF3-006	Collar	1	
25	13WF1-029	Screw	2	M3x3
26	71WF3-007	Pin	1	
27	71WF3-008	Spring	1	
28		Screw	1	GB77-M5 x 8
29	71WF3-015	Walking foot bar	1	
30	71WF3-016	Walking foot	1	
31	71WF3-017	Screw	1	SM17/64"x28
32	71WF3-018	Upper feed bushing	2	
33		Bearing	2	φ10x φ13x9.7
34	71WF3-019	Stop ring	4	
35		Screw	2	GB77-M6 x 5
36	71WF3-020	Washer	2	
37	71WF3-021	Washer(front)	1	
38	71WF3-022	Washer(rear)	1	
39	71WF3-023	Upper feed shaft	1	
40	71WF3-024	Upper feed crank(l)	1	

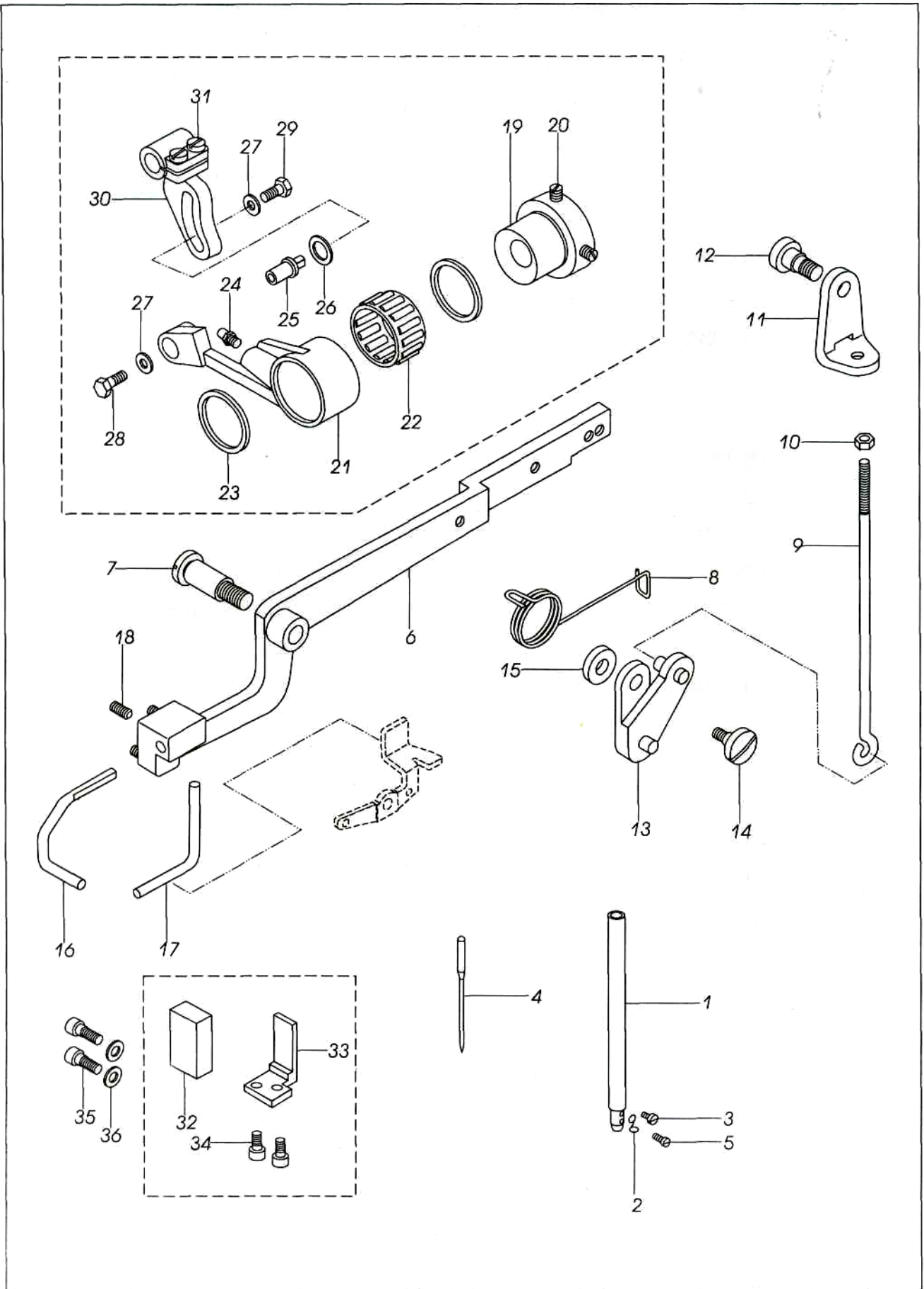
2. Needle and presser foot components



## 2.Needle and presser foot components

No.	Parts No.	Name	Qty.	Remarks
41		Screw	2	GB65-M5x12
42	71WF3-025	Presser foot lifting link	1	
43	71WF3-026	Link pin	1	
44		Bearing	1	φ5x φ8x7.7
45		Spring	6	GB894.1-5
46	71WF3-027	Pin(long)	3	
47	71WF3-028	Upper feed crank(II)	1	
48	71WF3-029	Shaft	1	
49		Screw	1	GB77-M6 x 8
50		Bearing	2	Φ6x φ9x7.7
51	71WF3-030	Washer	2	
52		Spring	1	GB894.1-6
53	71WF3-031	Upper feed crank(III)	1	
54	71WF3-032	Shaft	1	
55		Screw	1	GB77-M6 x 8
56		Bearing	2	φ7x φ10x7.5
57	71WF3-033	Washer	1	
58		Spring	1	GB894.1-7
59	71WF3-034	Movable plate	1	
60	71WF3-035	Link	1	
61	71WF3-036	Presser foot link	2	
62	71WF3-037	Pin(short)	1	
63	71WF3-038	Slide block	1	
64	71WF3-039	Sliding guide	1	
65		Screw	2	GB65-M4 x 8
66	71WF2-022	Finger guard	1	
67	71WF2-023	Screw	2	GB65-M4 x 8
68	71WF2-024	Finger guard set plate	1	
69		Screw	2	GB65-M5 x 8
70		Washer	2	GB97.1-5

### 3. Presser foot lifting components

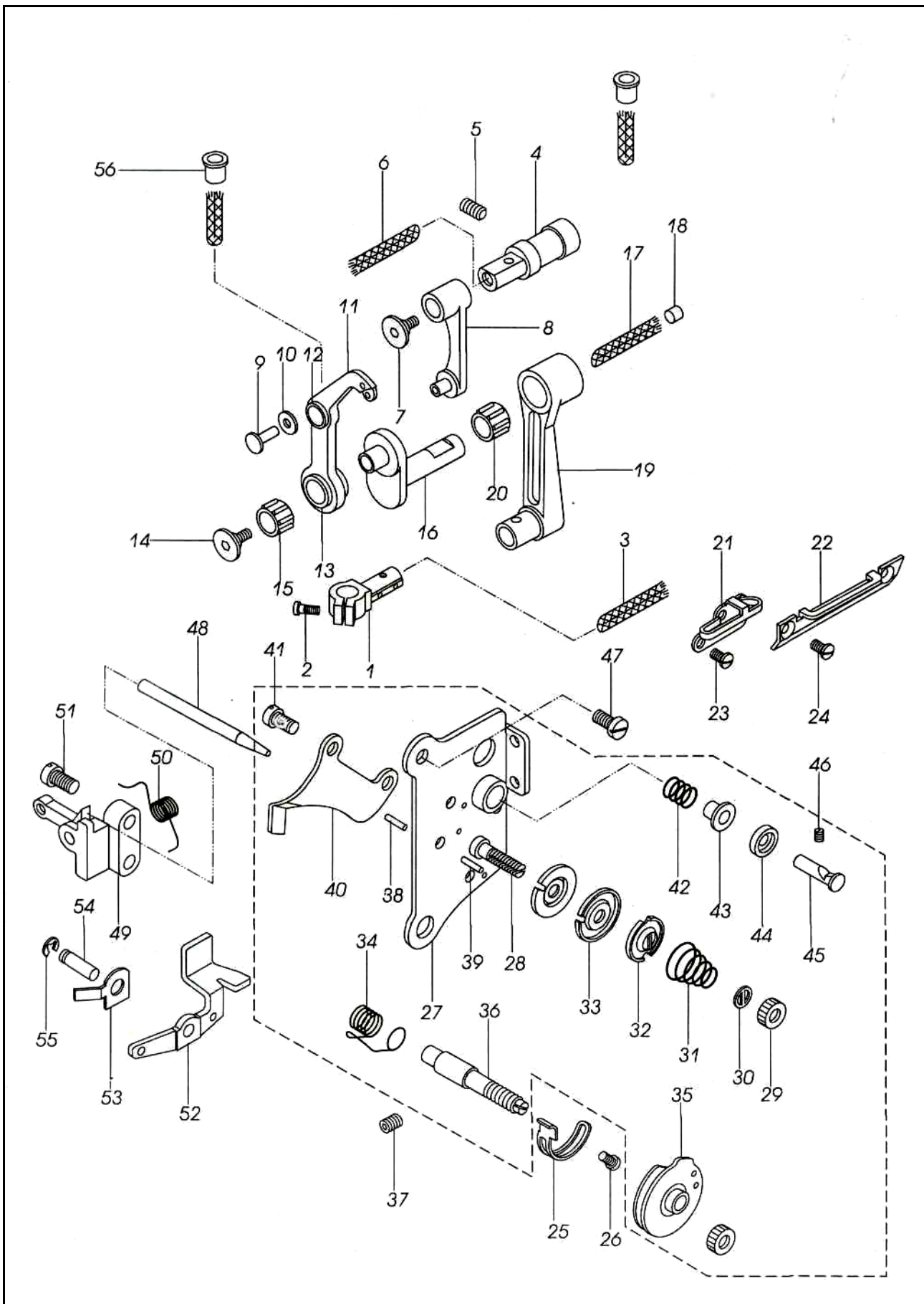


### 3.Presser foot lifting components

No.	Parts No.	Name	Qty.	Remarks
1	71WF1-001	Needle bar	1	
2	71WF1-002	Needle bar thread guide	1	
3	13WF1-015	Screw	1	M3x5
4		Needle	1	DPx35LR
5	71WF1-003	Screw	1	M3x5
6	71WF4-016	Knee lifter lever	1	
7	71WF4-017	Screw	1	
8	71WF4-018	Spring	1	
9	71WF4-019	Knee lifter drawing bar	1	
10		Nut	1	GB6170-M5
11	71WF4-020	Connector	1	
12	71WF4-021	Screw	1	
13	71WF4-022	Movable plate complete	1	
14	71WF4-023	Screw	1	
15	71WF4-024	Washer	1	
16	71WF4-039	Presser foot lift bent bar	1	
17	71WF4-040	Releasing bent bar	1	
18		Screw	3	
19	71WF3-040	Presser foot lift cam	1	
20	13WF1-018	Screw	2	M6 x 0.75
21	71WF3-041	Link	1	
22		Bearing	1	φ22x φ26x12.6
23	71WF3-042	Stop ring	2	
24		Oil cup	1	GB1152-89 M6
25	71WF3-043	Pin	1	
26	71WF3-044	Washer	1	
27	71WF3-045	Washer	2	
28		Screw(front)	1	GB5781-M5x8
29		Screw(rear)	1	GB5781-M5x10
30	71WF3-046	Adjusting crank	1	
31		Screw	2	GB65-M5x12
32	71WF3-083	Block	1	
33	71WF3-084	Set bracket	1	
34		Screw	2	GB70-M4x8
35		Screw	2	GB70-M4x16
36		Washer	2	GB97.1-4



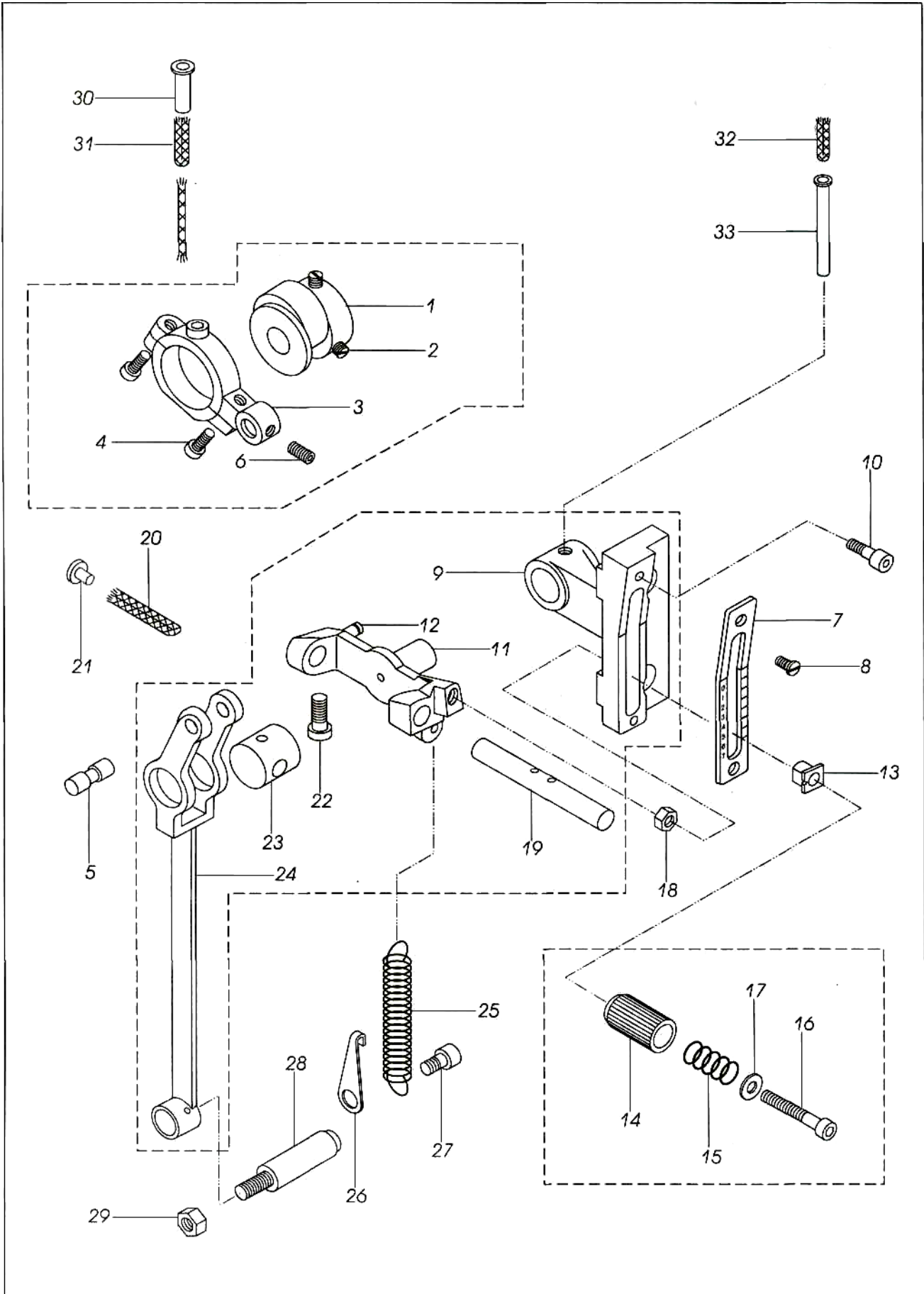
#### 4.Thread take-up and thread tension components



4.Thread take-up and thread tension components

No.	Parts No.	Name	Qty.	Remarks
1	71WF1-004	Needle bar connector	1	
2	71WF1-005	Screw	1	M4x10
3		Oil wick	1	
4	71WF1-006	Pin shaft	1	
5		Screw	1	GB77-M6 x 8
6		Oil wick	1	
7	71WF1-007	Screw	1	
8	71WF1-008A	Crank	1	
9	71WF1-008B	Stud	1	
10	71WF1-008C	Washer	1	
11	71WF1-008D	Thread take-up lever	1	
12	71WF1-008E	Link bushing	1	
13	71WF1-008F	Bearing bushing	1	
14	71WF1-007	Screw	1	
15		Bearing	1	φ 7 x φ10x7.5
16	71WF1-009	Hinge shaft	1	
17		Oil wick	1	
18	71WF1-010	Plug	1	
19	71WF1-011	Needle bar link	1	
20		Bearing	1	φ9 x φ 12x12.7
21	71WF2-011	Thread guide(middle)	1	
22	71WF2-012	Thread guide(lower)	1	
23	71WF2-013	Screw	1	M5x7
24		Screw	1	GB68-M4 x 8
25	71WF2-016	Stop plate	1	
26		Screw	1	GB65-M4 x 6
27	71WF2-021A	Set plate	1	
28	71WF2-021B	Bolt	1	
29	71WF2-021C	Nut	2	
30	71WF2-021D	Stop washer	1	
31	71WF2-021E	Spring	1	
32	71WF2-021F	Thread releasing disc	1	
33	71WF2-021G	Thread tension disc	2	
34	71WF2-021H	Thread take-up spring	1	
35	71WF2-021I	Thread control plate assembly	1	
36	71WF2-021J	Bolt	1	
37		Screw	1	GB77-M5 x 8
38	71WF2-021K	Thread guide pin	2	
39	71WF2-021L	Thread releasing pin	1	
40	71WF2-021M	Thread releasing plate	1	
41	71WF2-021N	Screw	2	SM9/64" x 40
42	71WF2-021O	Spring	1	
43	71WF2-021P	Thread tension cap	1	
44	71WF2-021Q	Thread tension disc	1	
45	71WF2-021R	Pin	1	
46		Screw	1	GB73-M4 x 8
47		Screw	1	GB67-M4x10
48	71WF2-022	Thread releasing bar	1	
49	71WF4-033	Thread releasing bracket	1	
50	71WF4-034	Spring	1	
51	71WF4-035	Screw	2	M5x6
52	71WF4-036	Thread releasing lever	1	
53	71WF4-037	Spring plate	1	
54	71WF3-053	Lever stud	1	
55		Split ring	1	GB896-86 5
56	71WF2-026	Oil pipe	2	

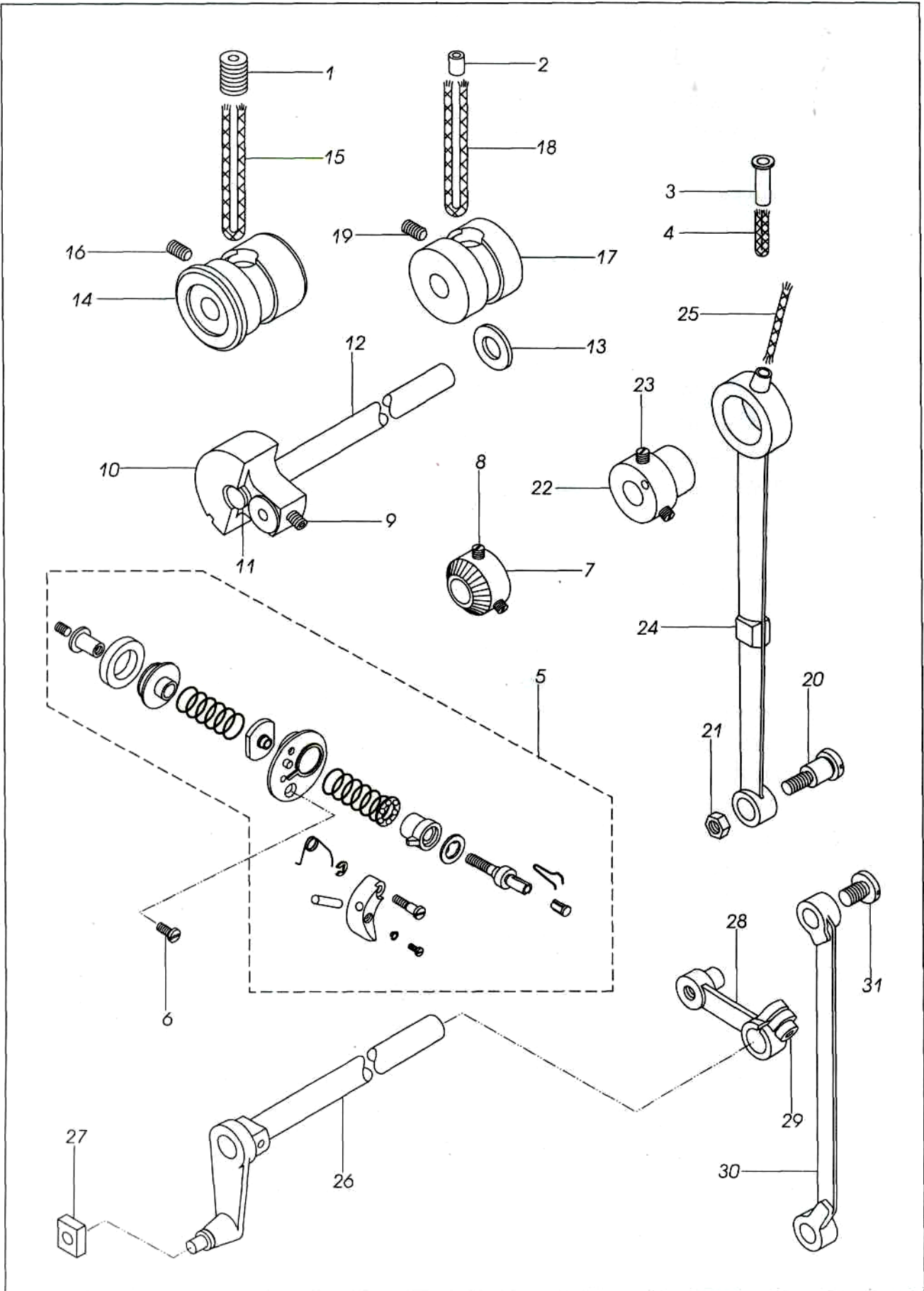
# 5.Feed adjustment components



5.Feed adjustment components

No.	Parts No.	Name	Qty.	Remarks
1	71WF3-047	Feed cam	1	
2	22T2-005B3	Screw	2	SM1/4"x40
3	71WF3-048	Feed crank	1	
4		Screw	2	GB70-M5x12
5	71WF3-049	Link stud	1	
6		Screw	1	GB77-M4 x 5
7	71WF3-050	Stitch length label	1	
8		Screw	2	GB68-M3 x 8
9	71WF3-051	Stitch length bracket	1	
10		Screw	2	GB70-M6x16
11	71WF3-052	Stitch length adjusting bracket	1	
12	71WF3-053	Stud	1	
13	71WF3-054	Stop bushing	1	
14	71WF3-055	Adjusting bar	1	
15	71WF3-056	Spring	1	
16	71WF3-057	Screw	1	
17	71WF3-058	Washer	1	
18		Nut	1	GB6172-86 M6
19	71WF3-059	Sliding shaft	1	
20		Oil wick	1	
21	71WF1-013	Filter	1	
22	71WF3-060	Screw	1	
23	71WF3-061	Sliding guide	1	
24	71WF3-062	Link	1	
25	71WF3-063	Spring	1	
26	71WF3-064	Spring hook	1	
27		Screw	1	GB70-85M6x10
28	71WF3-013	Crank stud	1	
29	71WF3-014	Nut	1	SM17/64"x28
30	71WF2-027	Oil tube		
31		Oil wick		
32	71WF2-028	Oil tube		
33		Oil wick		

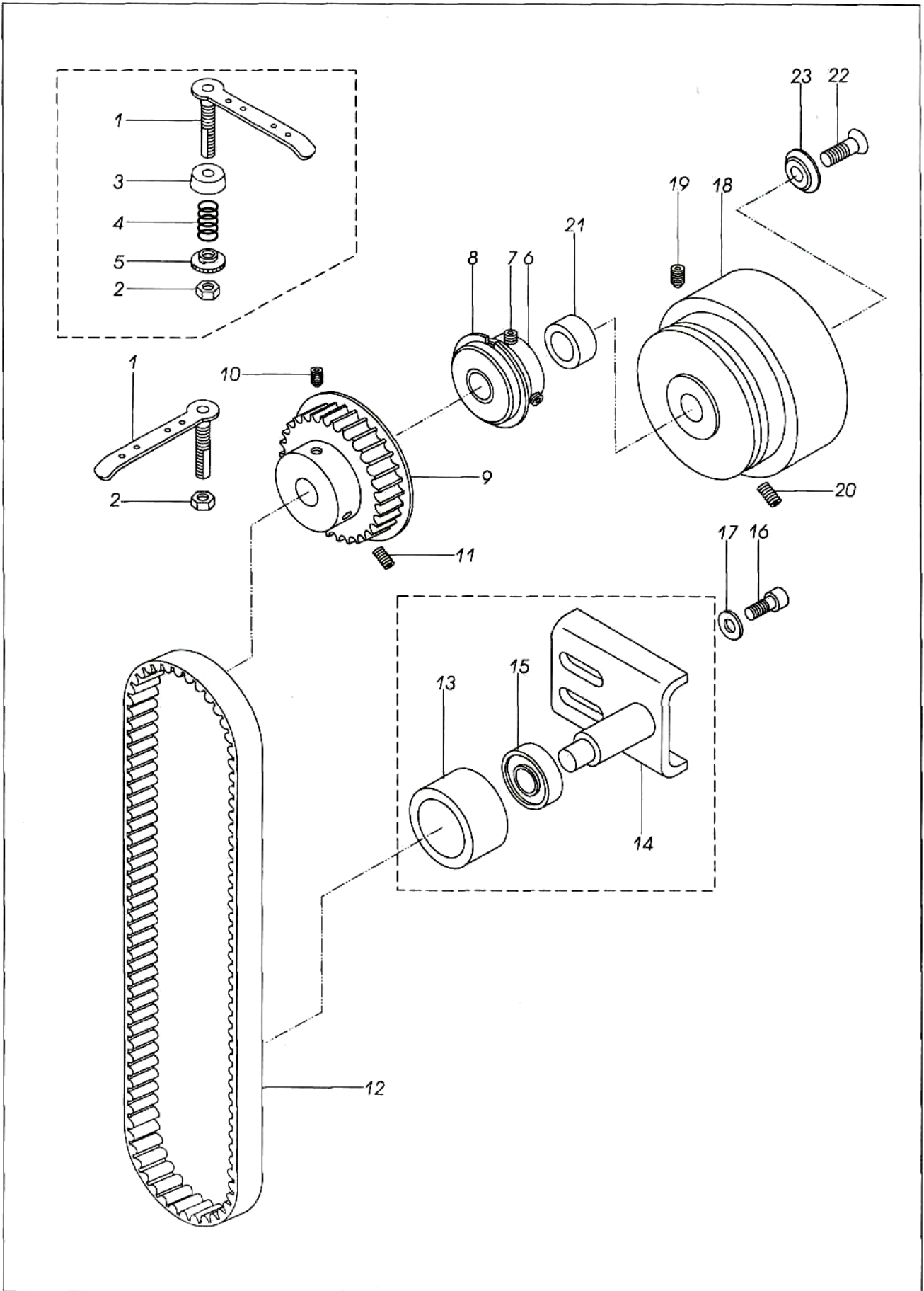
6.Upper shaft and rocking shaft components



6. Upper shaft and rocking shaft components

No.	Parts No.	Name	Qty.	Remarks
1	71WF2-029	Oil plug	1	
2	71WF2-030	Oil plug	1	
3	71WF2-027	Oil pipe	1	
4		Oil wick	1	
5	71WF2-034	Bobbin thread winder assembly	1	
6		Screw	1	GB68-M4 x 8
7	71WF2-035	Friction wheel	1	
8	13WF1-027	Screw	2	M6 x 0.75
9		Screw	2	GB77-M6 x 5
10	71WF1-012	Needle bar crank	1	
11	71WF1-013	Oil plug	1	
12	71WF1-014	Upper shaft	1	
13	71WF1-015	Washer	1	
14	71WF1-016	Upper shaft bushing(front)	1	
15		Oil wick	1	
16		Screw	1	GB77-M6 x 8
17	71WF1-017	Upper shaft bushing(middle)	1	
18		Oil wick	1	
19		Screw	1	GB77-M6 x 8
20	71WF3-078	Screw	1	
21	71WF3-079	Nut	1	SM11/64"x28
22	71WF3-080	Feed dog lift cam	1	
23	71WF3-081	Screw	2	
24	71WF3-082	Feed dog lift link	1	
25		Oil wick	1	
26	71WF3-001	Rocking shaft assembly	1	
27	71WF3-002	Slide block	1	
28	71WF3-009	Rocking shaft driving cam	1	
29		Screw	1	GB70-M8x16
30	71WF3-010	Rocking shaft link	1	
31	71WF3-011	Screw	1	SM17/64"x32

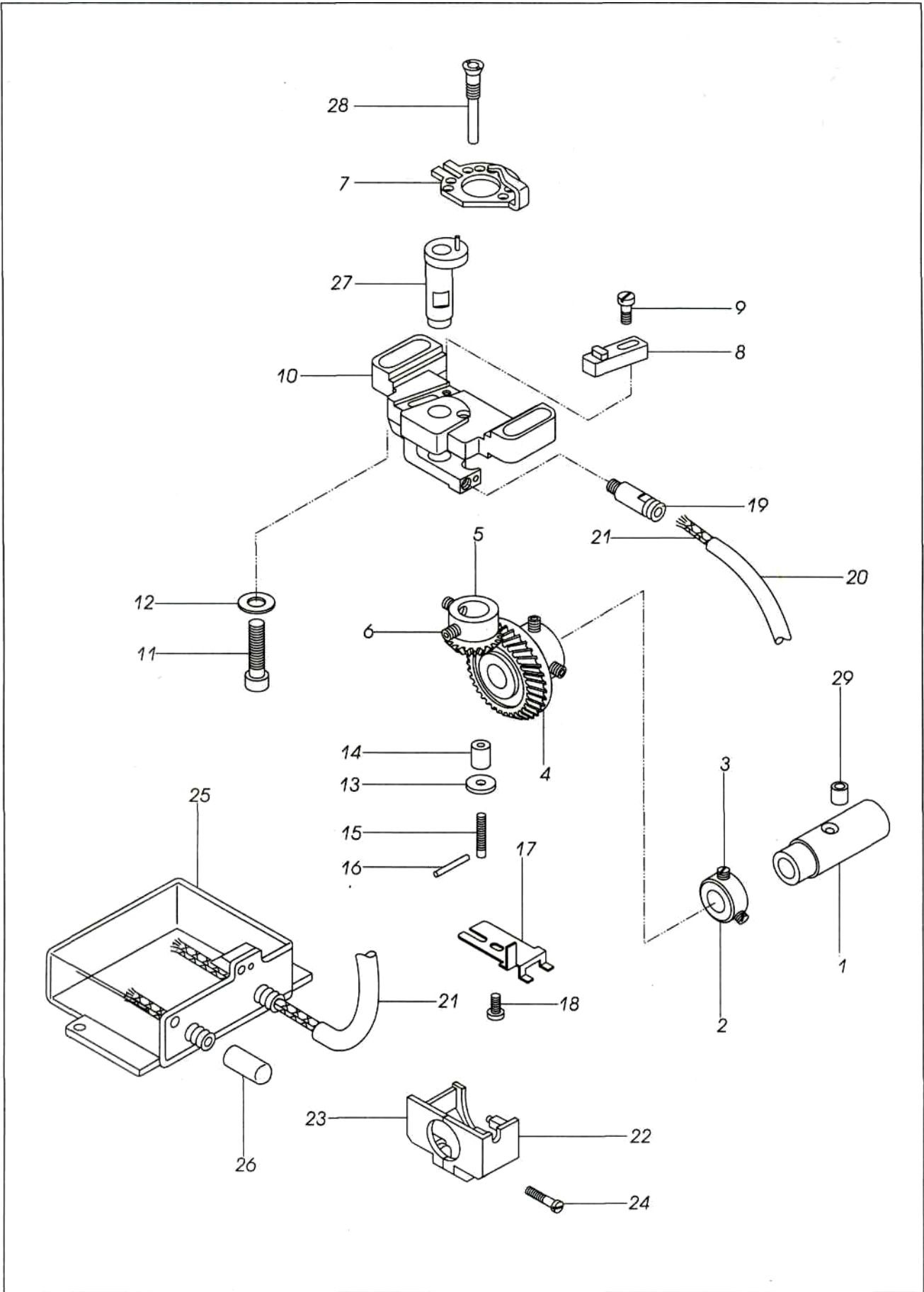
7. Timing belt components



No.	Parts No.	Name	Qty.	Remarks
1	71WF2-014	Thread guide bar assembly	1	
2		Nut	1	GB6170-M6
3	71WF2-015A	Thread tension disc	1	
4	71WF2-015B	Thread tension spring	1	
5	71WF2-015C	Thread tension nut	1	
6	71WF1-018	Collar	1	
7	19WF3-005	Screw	2	M6x0.75
8		Bearing	1	6002-2ZNR 15x32x9
9	71WF1-019	Timing pulley assembly	1	
10		Screw	1	GB78-M6x0.75
11		Screw	1	GB77-M6x0.75
12		Timing belt	1	270H063
13	71WF1-021A	Tension wheel	1	
14	71WF1-021B	Tension wheel bracket	1	
15		Bearing	1	6000-2Z
16		Screw	2	GB70-M5x12
17		Washer	2	GB97.1-5
18	71WF1-022	Hand wheel	1	
19		Screw	1	GB78-M6x0.75
20		Screw	1	GB77-M6x0.75
21	71WF1-023	Collar	1	
22		Screw	1	GB68-M6 x 20
23	71WF1-024	Washer	1	



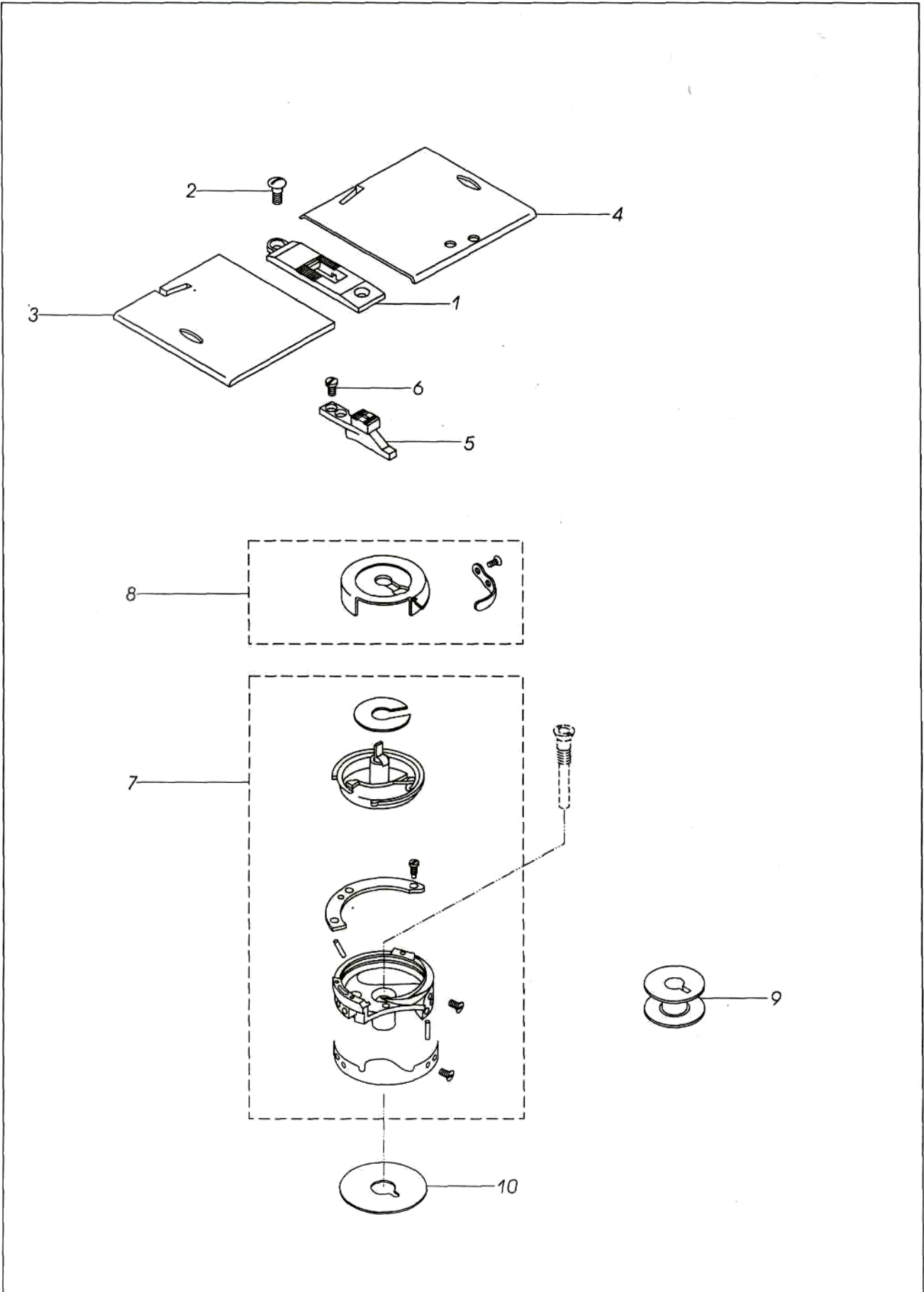
8. Rotating hook saddle components



## 8. Rotating hook saddle components

No.	Parts No.	Name	Qty.	Remarks
1	71WF1-028	Lower shaft bushing(front)	1	
2	71WF1-031	Collar	1	
3	22WF4-005	Screw	2	M5
4	71WF1-032	Lower shaft gear	1	
5	71WF1-033	Rotating hook gear	1	
6	19WF3-005	Screw	4	M6 x 0.75
7	71WF1-034	Hook opener	1	
8	71WF1-035	Adjusting plate assembly	1	
9		Adjusting screw	1	GB65-M4 x 8
10	71WF1-036	Rotating hook saddle	1	
11		Screw	2	GB70-85 M6 x 25
12	71WF1-037	Washer	2	
13	71WF1-038	Oil felt(1)	1	
14	71WF1-039	Oil felt(2)	1	
15	71WF1-040	Screw bar	1	
16		Pin	1	GB879-86 1 x16
17	71WF1-041	Cover plate	1	
18		Screw	1	GB65-M4 x 8
19	71WF1-042	Joint	1	
20	71WF1-043	Oil pipe	1	
21		Oil wick	1	φ 3 L=400
22	71WF1-044	Gear cover(1)	1	
23	71WF1-045	Gear cover(2)	1	
24		Screw	1	GB65-M4x14
25	71WF1-047	Oil box	1	
26	71WF1-049	Oil hole cover	1	
27	71WF1-061	Rotating hook shaft	1	
28	71WF1-062	Screw	1	
29	71WF2-030	Oil plug	1	

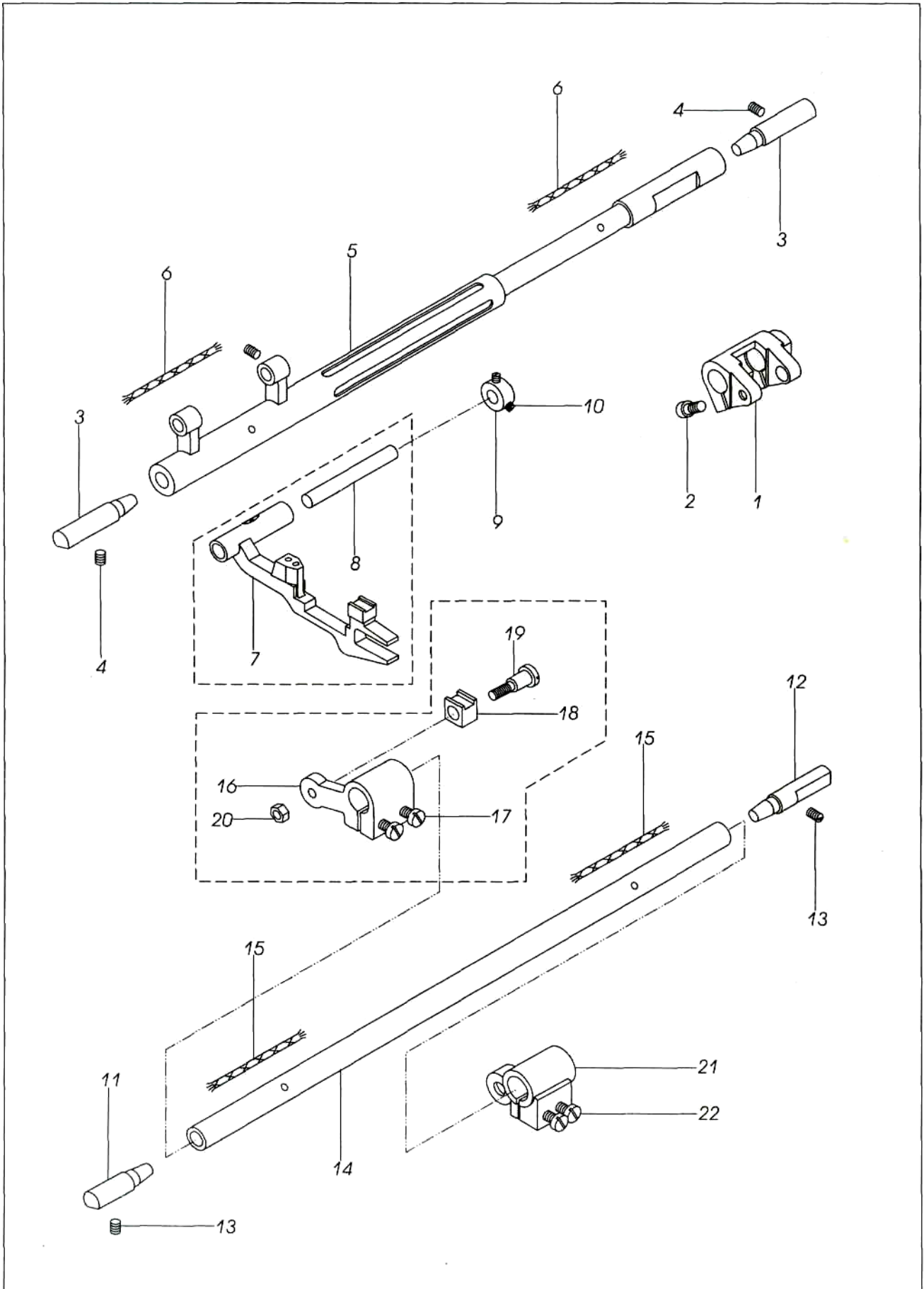
9. Needle plate and hook components



9. Needle plate and hook components

No.	Parts No.	Name	Qty.	Remarks
1	71WF2-017	Needle plate	1	
2	71WF2-018	Screw	2	SM11/64"x40
3	71WF2-019	Slide plate(left)	1	
4	71WF2-020	Slide plate(right)	1	
5	71WF3-070	Feed dog	1	
6	JO.O.50	Screw	2	SM1/8"x44
7		Rotating hook assembly	1	LRT1242-R
8		Bobbin cap	1	SCP545
9	71WF1-046	Bobbin	1	
10	71WF1-060	Washer	1	

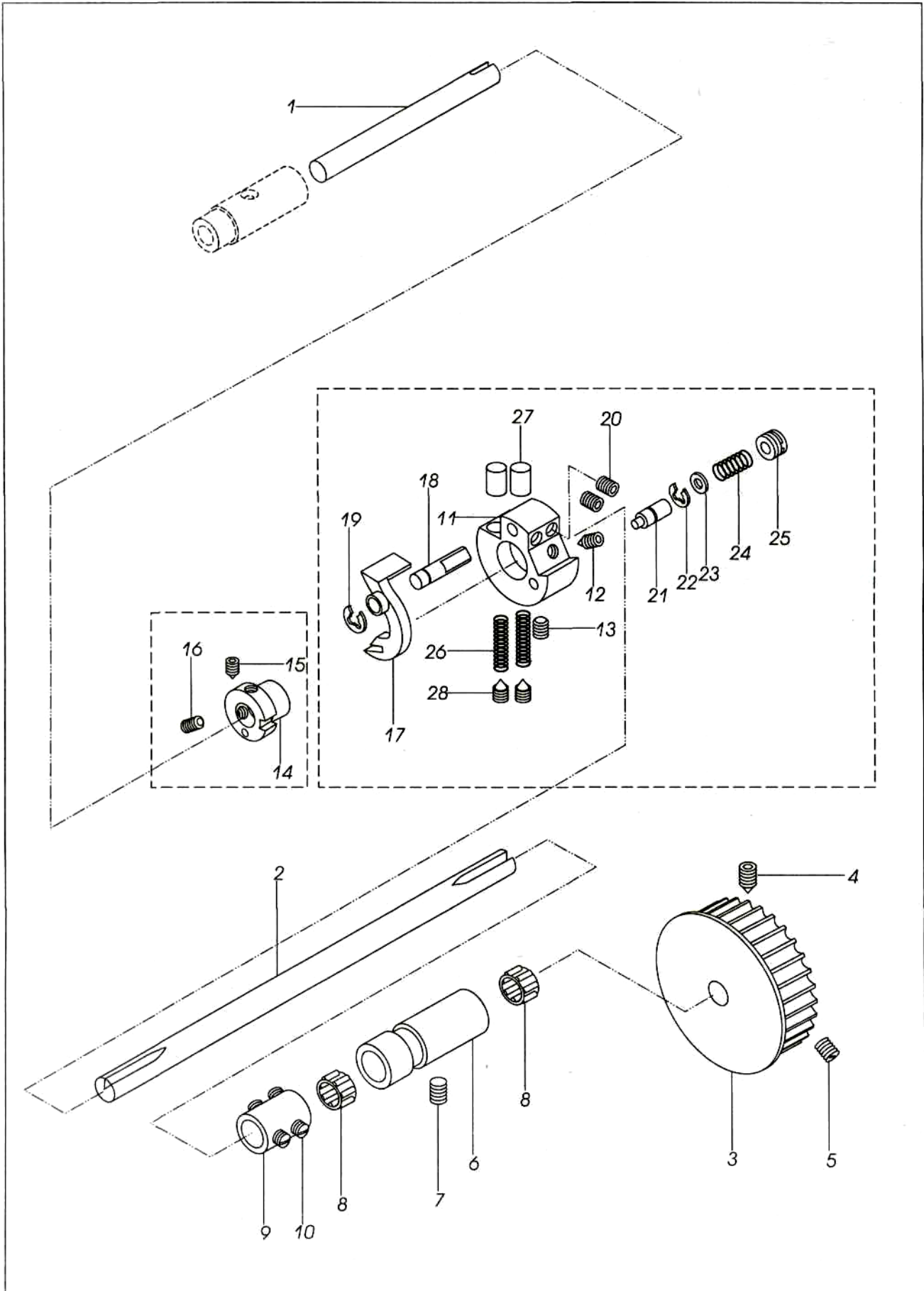
10. Lower feed components



10. Lower feed components

No.	Parts No.	Name	Qty.	Remarks
1	71WF3-012	Feed shaft crank	1	
2		Screw	2	GB65-M5x10
3	71WF3-065	Feed shaft set pin	2	
4		Screw	2	GB77-M6 x 8
5	71WF3-066	Feed shaft	1	
6		Oil wick	2	
7	71WF3-067	Feed dog supporter	1	
8	71WF3-068	Hinge pin	1	
9	71WF3-069	Collar	1	
10		Screw	2	GB77-M5 x 4
11	71WF3-071	Feed dog lifting shaft set pin(front)	1	
12	71WF3-065	Feed dog lifting shaft set pin(rear)	1	
13		Screw	2	GB77-M6 x 8
14	71WF3-072	Feed dog lifting shaft	1	
15		Oil wick	2	
16	71WF3-073	Feed dog lifting cam	1	
17		Screw	2	GB65-M5x12
18	71WF3-074	Slide block	1	
19	71WF3-075	Screw	1	
20	71WF3-076	Nut	1	SM11/64"x32
21	71WF3-077	Feed dog lifting shaft crank	1	
22		Screw	2	

11. Lower shaft components

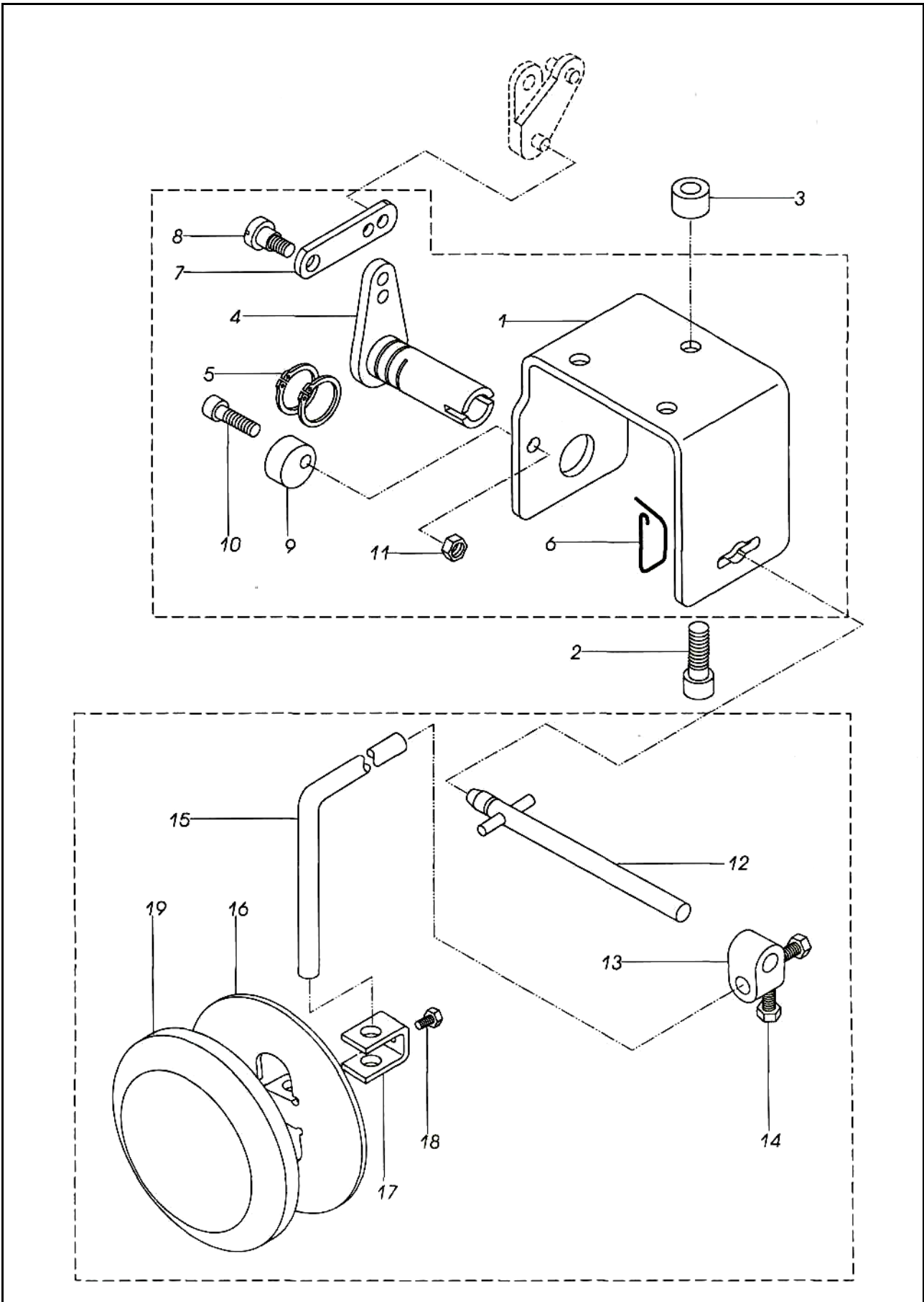


11. Lower shaft components

No.	Parts No.	Name	Qty.	Remarks
1	71WF1-025	Lower shaft(front)	1	
2	71WF1-026	Lower shaft(rear)	1	
3	71WF1-027	Timing pulley assembly	1	
4		Screw	1	GB78-M6 x 0.75
5		Screw	1	GB77-M6 x 0.75
6	71WF1-029	Lower shaft bushing(rear)	1	
7		Screw	1	GB77-M6 x 8
8		Bearing	2	Φ10 x φ13x9.7
9	71WF1-030	Collar	1	
10	13WF1-027	Screw	4	
11	71WF1-050	Safety clutch body	1	
12		Screw	1	GB78-M6 x 0.75
13		Screw	1	GB77-M6 x 0.75
14	71WF1-051	Safety clutch cam	1	
15		Screw	1	GB78-M6 x 0.75
16		Screw	1	GB77-M6 x 0.75
17	71WF1-052	Spring plate	1	
18	71WF1-053	Pin	1	
19		Split ring	1	GB896-86 4
20		Screw	2	GB77-M5 x 6
21	71WF1-054	Stop pin	1	
22		Split ring	1	GB896-86 3
23	71WF1-055	Washer	1	
24	71WF1-056	Spring	1	
25	71WF1-057	Screw	1	
26	71WF1-058	Spring	2	
27	71WF1-059	Spring bushing	2	
28		Screw	2	GB78-M6 x 0.75



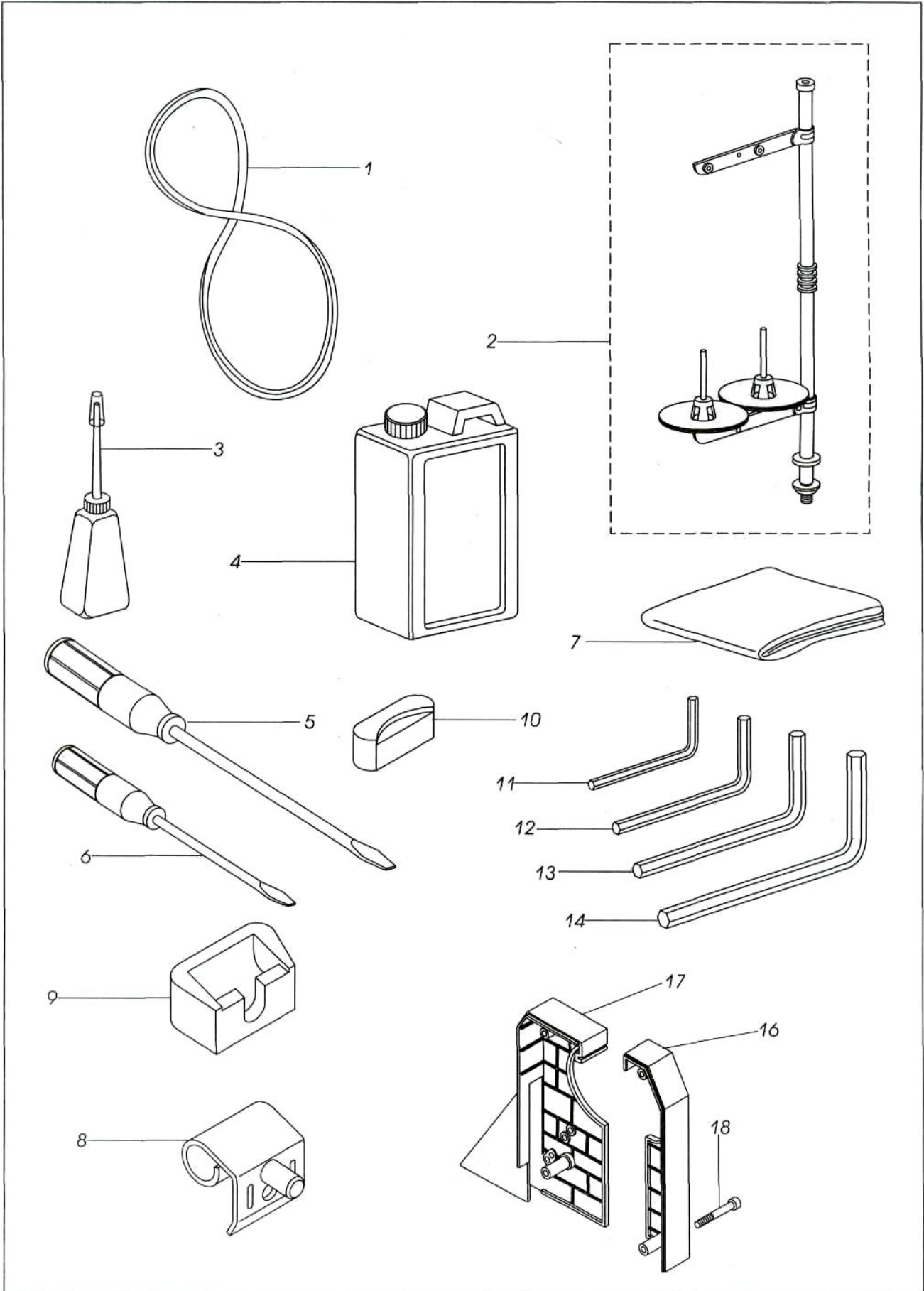
12. Knee lifter components



12. Knee lifter components

No.	Parts No.	Name	Qty.	Remarks
1	71WF4-025	Knee lifter bar bracket	1	
2		Screw	3	GB70-M8 x 25
3	71WF4-026	Washer	3	
4	71WF4-027	Knee lifter crank assembly	1	
5		Spring	2	GB894.2-86 18
6	71WF4-028	Spring	1	
7	71WF4-029	Knee lifter crank link	1	
8	71WF4-030	Screw	1	
9	71WF4-031	Stop block	1	
10		Screw	1	GB70-M6 x 20
11		Nut	1	GB6170-M6
12	71WF6-001	Knee lifter shaft assembly	1	
13	71WF6-002	Knee lifter crank	1	
14	22T9-003B4	Screw	2	SM5/16"x18
15	22T9-003B2	Knee press bar	1	
16	22T9-003B5	Knee press plate	1	
17	22T9-003B6	Knee press rod bracket	1	
18	22T9-003B7	Screw	1	
19	22T9-003B8	Knee press plate pad	1	

13. Accessories



13. Accessories

No.	Parts No.	Name	Qty.	Remarks
1		V-belt	1	
2	4F-007	Thread stand assembly	1	
3	33TF-011	Oil pot	1	
4	1F-009	Oil tank	1	
5	33TF-013	Screwdriver(middle)	1	
6	33TF-014	Screwdriver(small)	1	
7	1F-013	Machine head cover	1	
8	71WF5-009	Machine head hinge	2	
9	71WF5-010	Cushion	2	
10	71WF5-011	Rubber pad	2	
11		Hexagonal wrench	1	S=2.5mm
12		Hexagonal wrench	1	S=3mm
13		Hexagonal wrench	1	S=4mm
14		Hexagonal wrench	1	S=5mm
15	71WF5-005	Belt guard(1)	1	
16	71WF5-006	Belt guard(1)	1	
17		Screw	4	GB70-85 M5x35